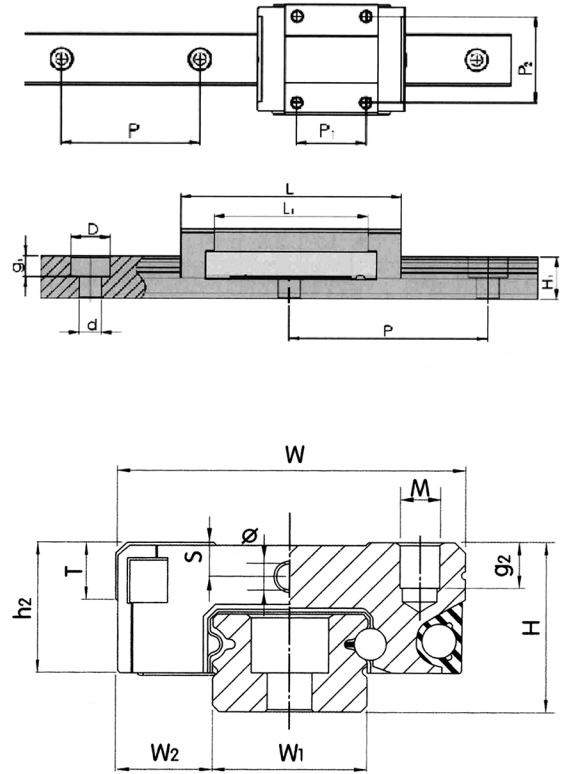




微型导轨



相关参数

CPC型号	WON型号	组装尺寸		轨道尺寸 (mm)				滑座尺寸 (mm)					
		H	W2	W1	H1	P	Dxdxg1	W	L	L1	P1	P2	Φ
MR15ML	M15L	16	8.5	15	9.5	40	6x3.5x4.5	32	60	44	25	25	1.8
MR15MN	M15N	16	8.5	15	9.5	40	6x3.5x4.5	32	43	27	20	25	1.8
MR12ML	M12L	13	7.5	12	7.5	25	6x3.5x4.5	27	47.6	34	20	20	1.3
MR12MN	M12N	13	7.5	12	7.5	25	6x3.5x4.5	27	35.4	22	15	20	1.3
MR9ML	M9L	10	5.5	9	5.5	20	6x3.5x3.5	20	40.9	30.8	16	15	1.3
MR9MN	M9N	10	5.5	9	5.5	20	6x3.5x3.5	20	30.6	20.5	10	15	1.3
MR7ML	M7L	8	5	7	4.7	15	4.2x2.4x2.3	17	31.2	21.8	13	12	1.1
MR7MN	M7N	8	5	7	4.7	15	4.2x2.4x2.3	17	23.7	14.3	8	12	1.1
MR5ML	M5N	6	3.5	5	3.5	15	3.5x2.4x1	12	19.6	13.5	7	-	0.7
MR5MN	M5C	6	3.5	5	3.5	15	3.5x2.4x1	12	16	10	-	8	0.7
MR3ML	-	4	2.5	3	2.6	10	M1.6	8	16	11	5.5	-	0.3
MR3MN	-	4	2.5	3	2.6	10	M1.6	8	11.7	6.7	3.5	-	0.3